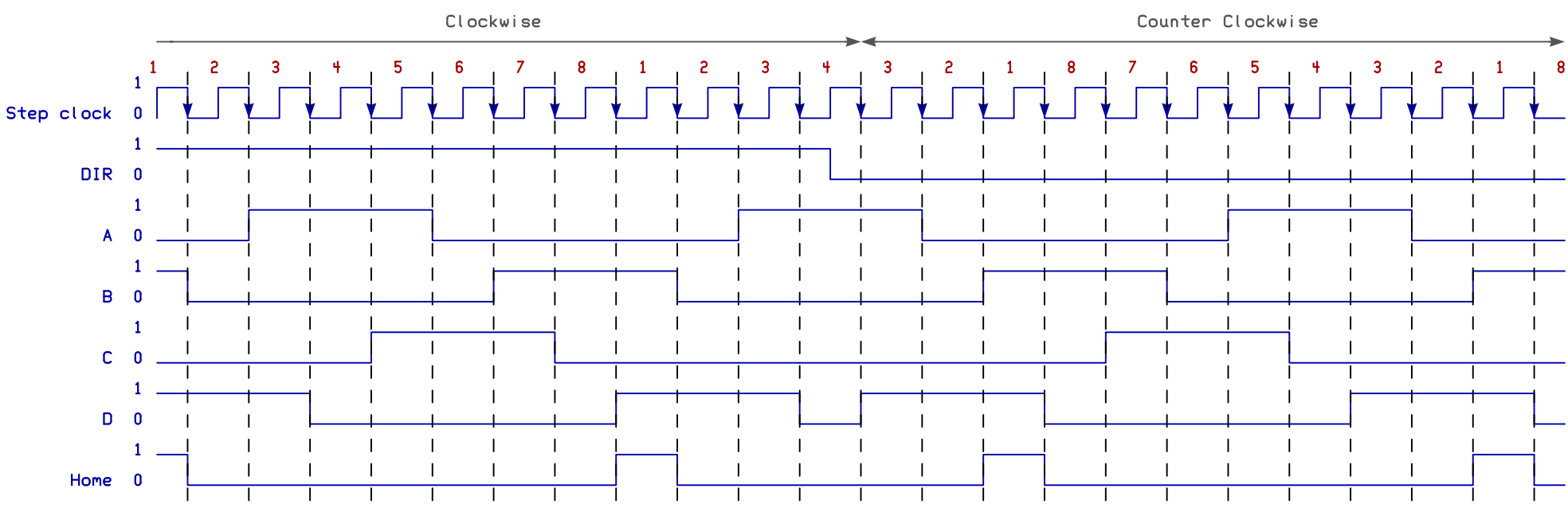
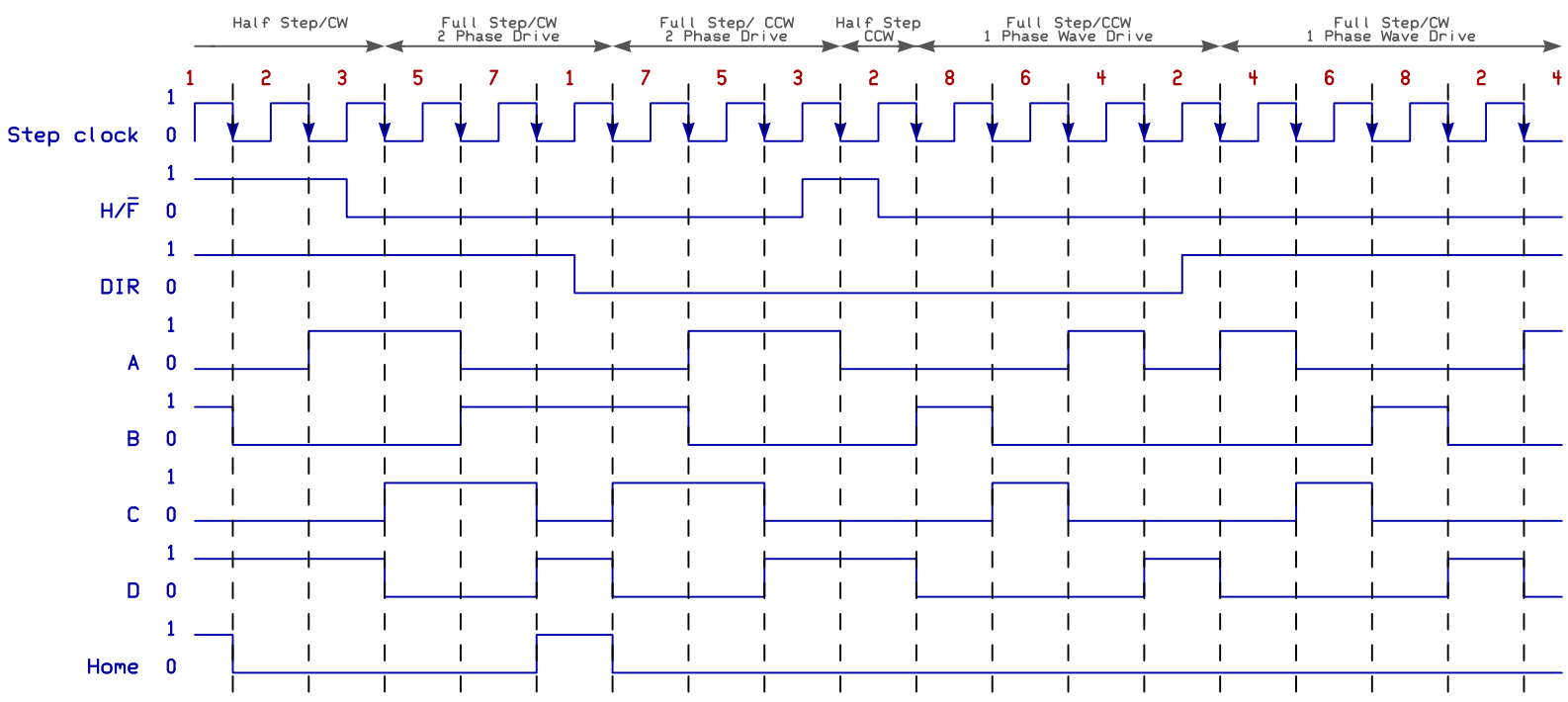


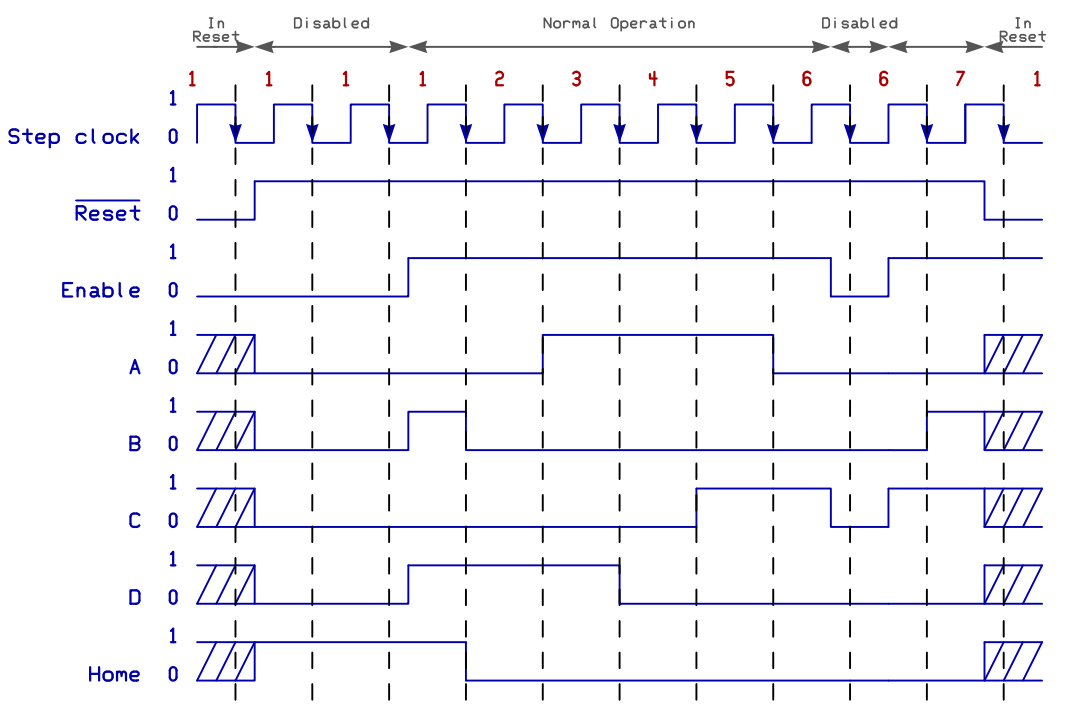
Images SI Stepper Motor Controller Output Sequence Waveforms



$\overline{\text{Reset}} = 1, M/\overline{S} = 0, H/\overline{F} = 1, \text{Enable} = 1$ all the time



$\overline{\text{Reset}} = 1, M/\overline{S} = 0, \text{Enable} = 1$ all the time



$H/\overline{F} = 1, M/\overline{S} = 0, \text{DIR} = 1$ all the time

 Hi Z