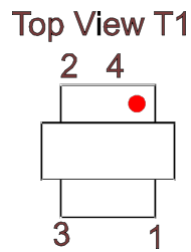
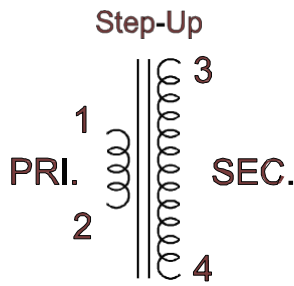
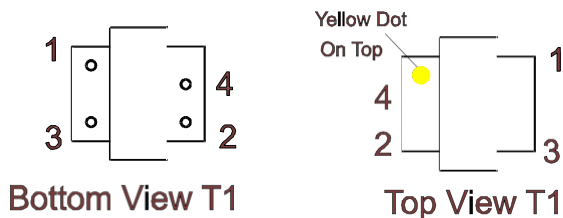
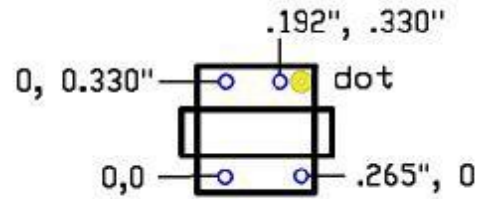


# Mini-Transformer Step-Up Application Notes

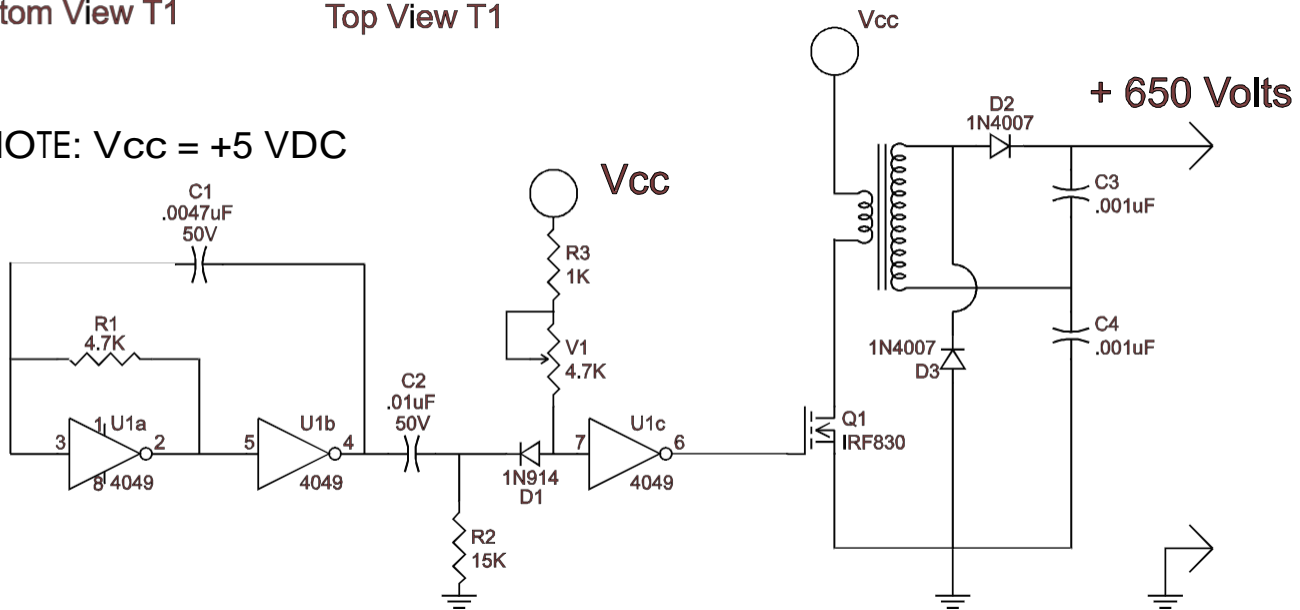


Top View –  
PCB hole layout

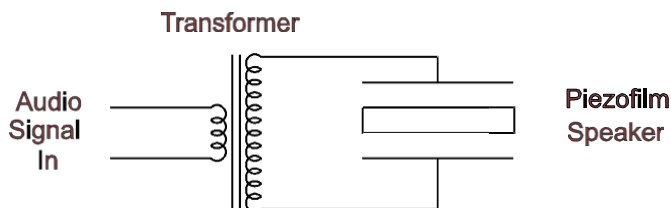


Notice that the primary winding pins 1 & 2 are at the corners.

NOTE:  $V_{cc} = +5 \text{ VDC}$



This small transformer is capable of outputting 600 volts or more with the simple circuit shown above. The circuit uses a 4049 hex inverter buffer IC to generate a square wave. The 4.7K potentiometer adjusts the width of the pulse. The IRF830 Power Mosfet controls the current to the primary windings of the mini step-up transformer.



An audio signal feed to the primary will step up the voltage enough to power a piezo-film speaker.

**Images SI Inc.**

Staten Island NY 10312

718.966.3694 Voice 718.966.3695 Fax