

Images Scientific Instruments Inc.
Staten Island NY 10312
718.966.3694 Tel
718.966.3695 Fax
www.imagesco.com

GMT-07 Pancake Mica Window-Alpha-Beta-Gamma Detector

GENERAL SPECIFICATIONS

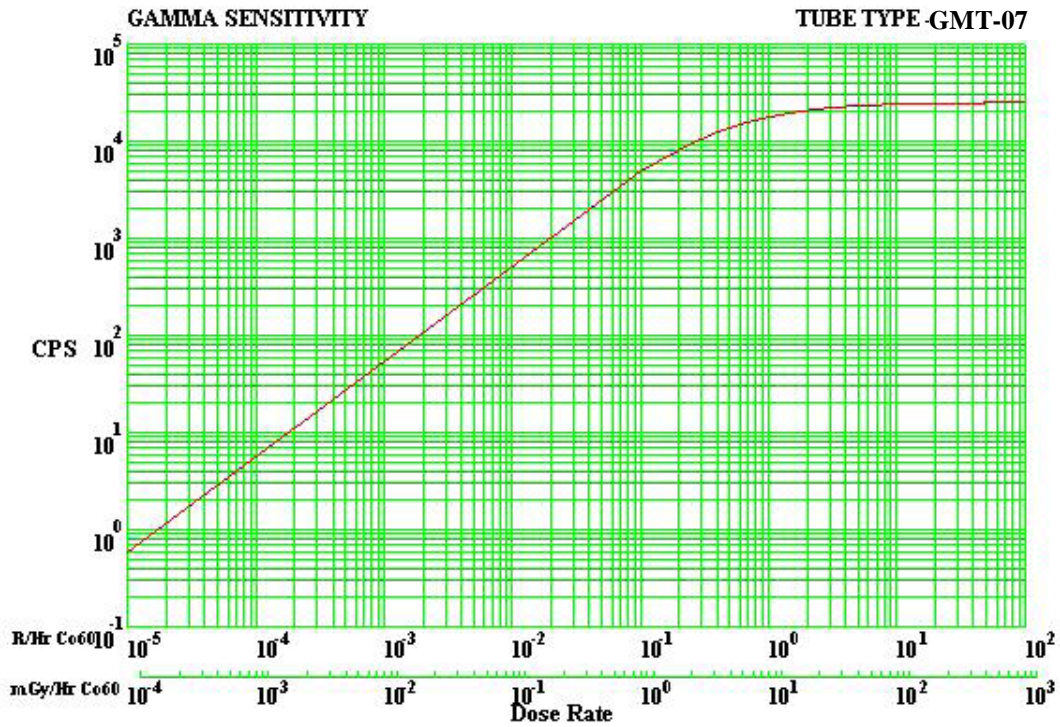
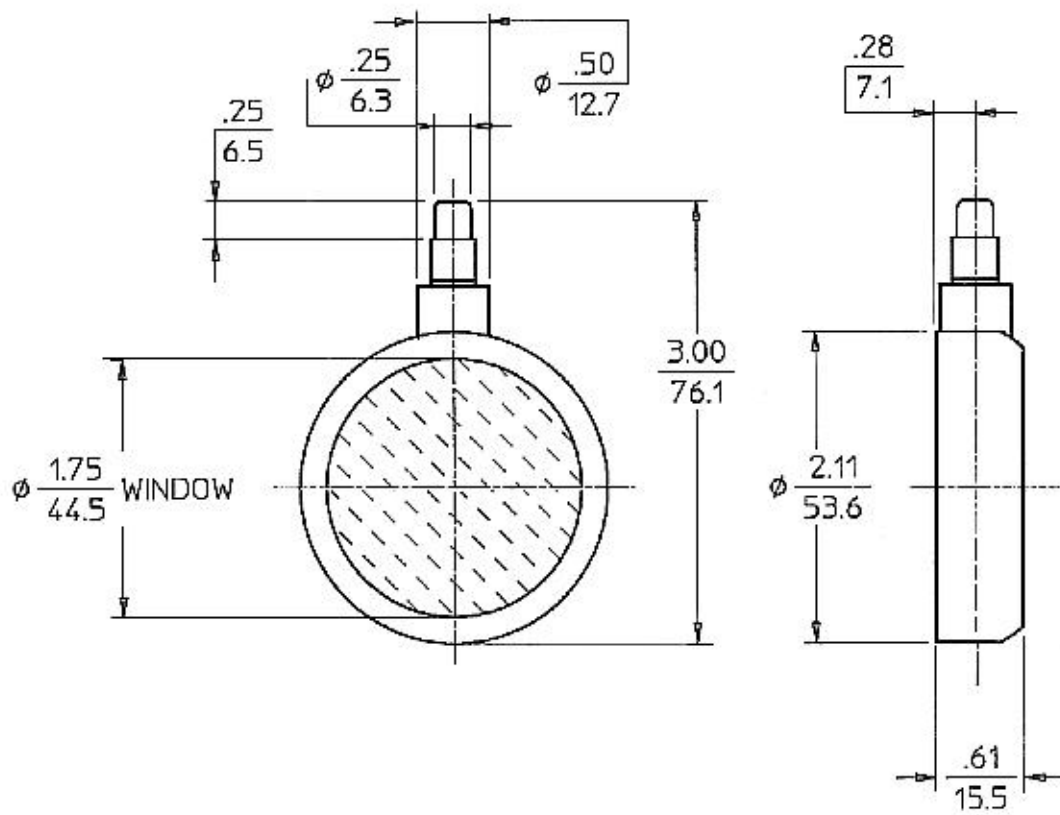
Gas filling	Ne +Halogen
Cathode material	446 Stainless Steel
Maximum length (inch/mm)	3.00/76.1
Effective depth (inch/mm)	0.5/12.7
Maximum diameter (inch/mm)	2.11/53.6
Effective diameter (inch/mm)	1.75/44.5
Connector	Grid Cap
Operating temperature range °C	-40 to +75

WINDOW SPECIFICATIONS

Areal density (mg/cm ²)	1.5-2.0
Effective diameter (inch/mm)	1.75/44.5
Material	Mica

ELECTRICAL SPECIFICATIONS

Recommended anode resistor (meg ohm)	4.7
Maximum starting voltage (volts)	425
Recommended operating voltage (volts)	500
Operating voltage range (volts)	475-675
Maximum plateau slope (%/100 volts)	10
Minimum dead time (micro sec)	40
Gamma sensitivity Co60 (cps/mr/hr)	60
Tube capacitance (pf)	3
Weight (grams)	125
Maximum background shielded 50mm Pb + 3mm	
Al (cpm)	30
Minimum anode resistor (meg ohm)	3.3





TOP VIEW



BOTTOM VIEW

