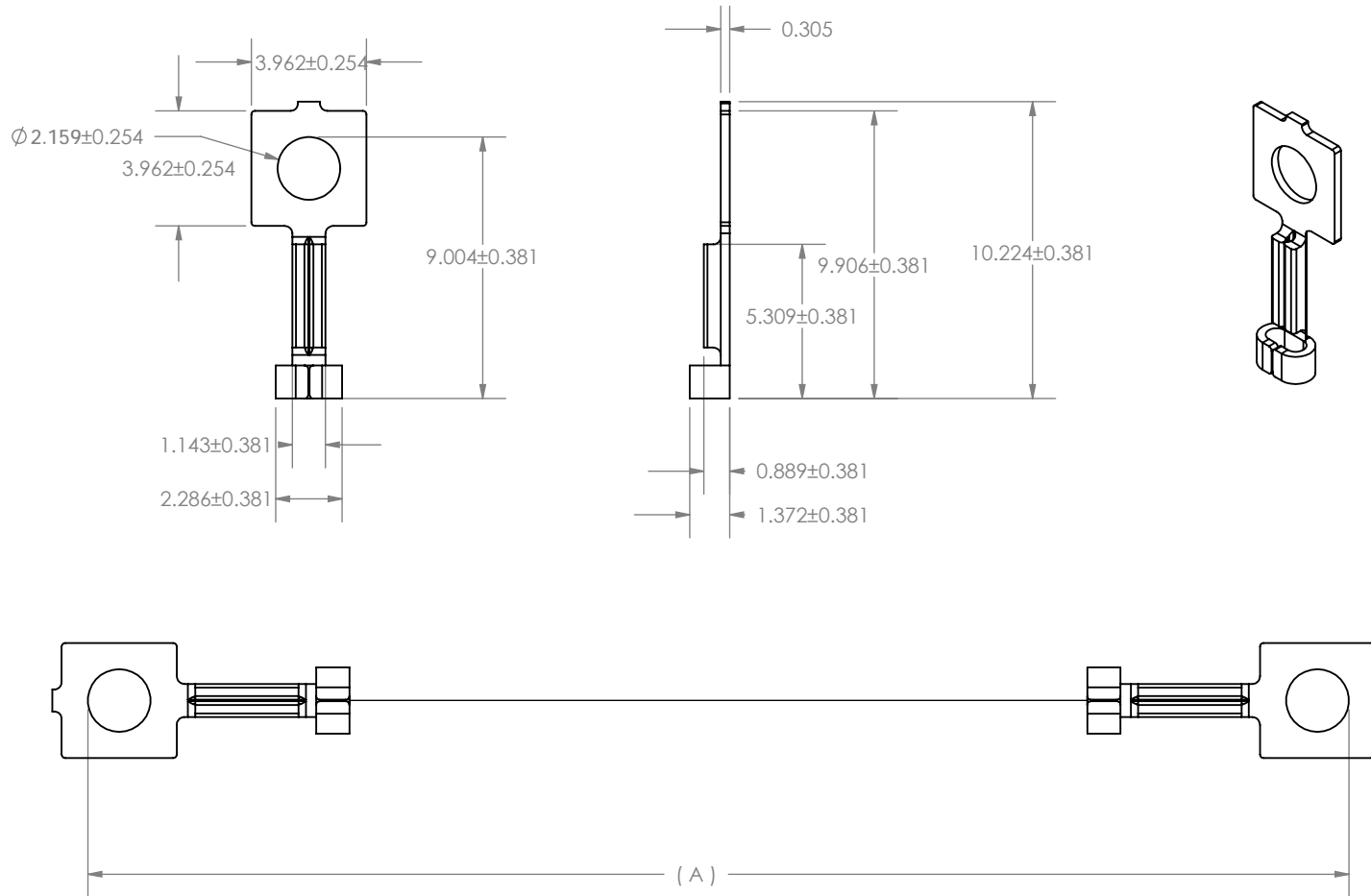


After Crimping*



REFERENCE ONLY

*MAY CHANGE SLIGHTLY WITH DIFFERENT WIRE DIAMETERS
 DOES NOT INCLUDE MINIMAL FLASH/DEFORMATIONS THAT ARE CREATED DURING CRIMPING

SCALE: 4:1

UNITS: mm



TITLE: Ring Terminal

MATERIAL: Brass

SHEET 1 OF 1